

BADU® 21-80

Universal, large circulation pump. Reliable and high-powered.
For whirlpools, counter swim units and swimming pool attractions.

Field of application

Swimming pools and industrial filter units, counter swim units, air conditioning units, pool cleaning devices and many more applications with a flow rate of up to 90 m³/h.

Design

The bellow-type mechanical seal is mounted on a plastic shaft protector sleeve.

Motor/pump shaft has no contact with the pool water providing complete electrical separation.

Discharge outlets swivel gradually by 90° each and by 29° clockwise when viewing the pump from the suction side.

BADU 21-80/... SG conditionally self-priming up to 0.5 m, on request. For suitable connection unions please see page 134.

Materials used

Pump casing	PPE GF 30
Wear ring	stainless steel
Housing cover.....	PPE GF 30
Impeller	PP GF 30
Impeller nut	PP GF 30
Mechanical seal	carbon/ceramic/NBR
Motor shaft	stainless steel
Screws	galvanised steel
Elastomers	NBR/viton

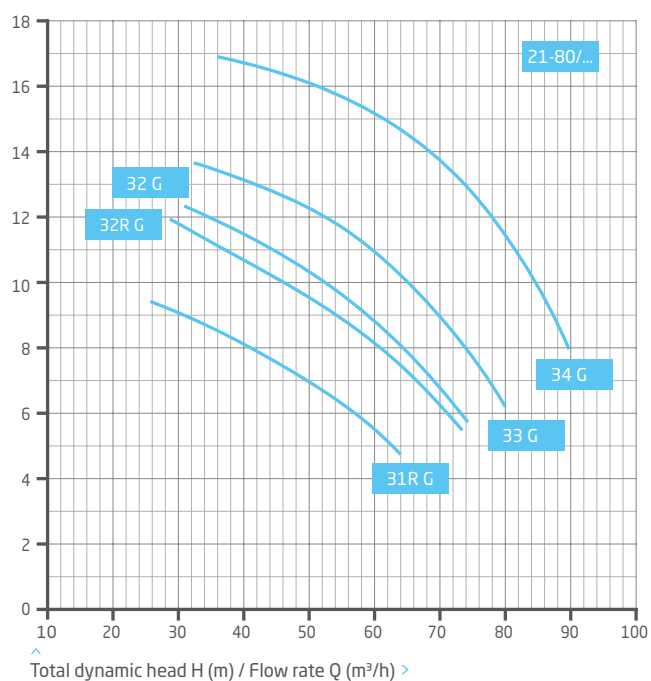
Technical data at 50 Hz	BADU 21-80/	31R G	32R G	32 G	33 G	34 G
Inlet Sa/outlet connection Da R ²⁾		2¾/2¾ ^{**)}	2¾/2¾ ^{**)}	2¾/2¾ ^{**)}	2¾/2¾ ^{**)}	2¾/2¾ ^{**)}
Rec. inlet/outlet pipe, PVC pipe, d ⁴⁾		110/110	110/110	110/110	140/110	140/110
Power input P ₁ /output P ₂ ¹⁾ (kW)	1~ 230 V	2.27/1.60	2.90/2.20	-/-	3.90/3.00	-/-
Rated current (A)	1~ 230 V	10.00	13.00	-/-	17.00 ¹⁾	-/-
Power input P ₁ /output P ₂ ¹⁾ (kW)	3~ Y/Δ 400/230 V	1.90/1.60	2.55/2.20	3.00/2.60	3.45/3.00	-/-
Rated current (A)	3~ Y/Δ 400/230 V	3.30/5.70	4.60/8.00	5.50/9.50	6.20/10.70	-/-
Power input P ₁ /output P ₂ ¹⁾ (kW)	3~ Y/Δ 690/400 V	-/-	-/-	-/-	-/-	4.55/4.00
Rated current (A)	3~ Y/Δ 690/400 V	-/-	-/-	-/-	-/-	4.60/7.90
Net weight (kg)	1~/3~	17.00/15.00	18.00/24.00	-/19.00	30.00/27.00	-/35.00

For more detailed information regarding the motor protection please see page 143. | ¹⁾ Start-up current approx. 82 A. | ²⁾ Pumps also available with Ø 82 mm hose connections. | Technical data may vary.

Article no	Description	Voltage	Power output P ₂
238.0310.138	BADU 21-80/31R G	1~ 230 V	1.60 kW
238.0320.138	BADU 21-80/32R G	1~ 230 V	2.20 kW
238.0330.138	BADU 21-80/33 G	1~ 230 V	3.00 kW
238.0310.137	BADU 21-80/31R G	3~ Y/Δ 400/230 V	1.60 kW
238.0320.537	BADU 21-80/32R G	3~ Y/Δ 400/230 V	2.20 kW
238.0320.137	BADU 21-80/32 G	3~ Y/Δ 400/230 V	2.60 kW
238.0330.137	BADU 21-80/33 G	3~ Y/Δ 400/230 V	3.00 kW
238.0340.137	BADU 21-80/34 G	3~ Y/Δ 690/400 V	4.00 kW

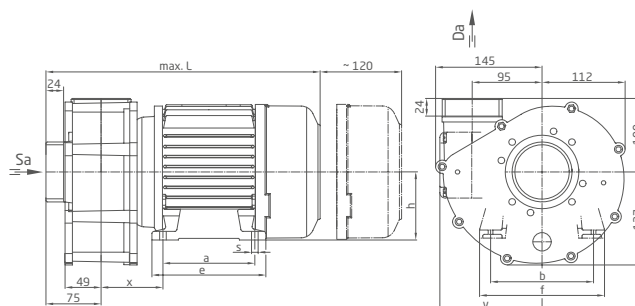


Performance



Dimensions

Detailed dimensions available on request or at badu.de



Type		a	b	e	f	h	s	x	y	L
BADU 21-80/31R G	1~	125	140	155	170	90	9	85	139	373
BADU 21-80/31R G	3~	125	140	155	170	90	9	100	139	397
BADU 21-80/32R G	1~	125	140	155	170	90	9	100	139	388
BADU 21-80/32R G	3~	140	160	176	195	100	12	107	155	422
BADU 21-80/32 G	3~	140	160	176	195	100	12	107	155	422
BADU 21-80/33 G	1~	140	160	176	195	100	12	107	154	442
BADU 21-80/33 G	3~	140	160	176	195	100	12	107	155	422
BADU 21-80/34 G	3~	140	160	176	195	100	12	107	155	439